

PACKAGING MACHINES SHRINK-WRAP MANUAL AND SEMI-AUTOMATIC

EN



EVO RANGE	p. 4-5
MINIMA EVO	p. 6
REPLAY 40 evo and REPLAY 55 evo	p. 7
FM75 evo	p. 8
FM76 evo	p. 9
RP85 and FC77	p. 10
FM90 DIGIT	p. 11
REPLAY 55 C evo	p. 12
FM76 A evo and FC77A	p. 13
SYNTHESIS INOX	p. 14-15
MANUAL OPTIONALS	p. 16-17
SEMI-AUTOMATIC RANGE	p. 18
MEDIA	p. 19
MODULAR 50S	p. 20
MODULAR 70	p. 21
ECOMODULAR	p. 22
MODULAR 50S and MEDIA STEEL IT	p. 23
TUNNEL	p. 24
TUNNEL 50 DIGIT	p. 25
TUNNEL 70 DIGIT	p. 26
TUNNEL 50 TWIN	p. 27
TUNNEL 50 TWIN GT	p. 28-29
TUNNEL OPTIONALS	p. 30-31

Minipack®-Torre shall not be held liable for typos or printing errors in this catalogue.
It also reserves the right to make changes to the specified features without prior notice.
All trademarks are property of their respective owners and are hereby acknowledged.

evo RANGE

COMPACT AND COST-EFFECTIVE BELL-TYPE PACKAGING MACHINES

The **evo LINE** has evolved from the first bell-type packaging machine patented by **MINIPACK®-TORRE** in 1976. Innovative and versatile, these new packaging machines are equipped with highly advanced and

newly patented systems – all at realistic prices and without compromising on the quality and reliability that has always set the **MINIPACK®-TORRE** branded packaging machines apart.



PERFORMANCE

High performance steel resistance: shrinking time reduced by 50% and heating time by reduced 60%.

Sealing bar cooling: means increased productivity and improved sealing.

ONLY FOR FM75 evo AND FM76 evo MODELS

Scrap winder: productivity increased by 20%.

COMES AS STANDARD ONLY FOR FM75 evo AND FM76 evo MODELS



GREEN SPIRIT

Comfort Zone Fan Stop: an eco-solution providing 20% energy savings and greater operator comfort during packaging by stopping the fan when the chamber is opened.



RELIABILITY AND QUALITY

Soft Shrink fan speed adjustment: perfect heat shrinking even for the lightest or most flexible products. Sealed areas do not open. Very low decibel noise levels. Exclusive patent.



EASY MANAGEMENT

Latest generation control panel: top-quality components. 4-digit screen.

MINIMA evo

TECHNICAL FEATURES

Electronic board with optimal sealing and shrinking control, with 10 preset programs that can be selected on the display. 4-digit display.

Extra wide reel support to house standard Ø250x320mm reels: extended operation and few production stops.

TECHNICAL DATA

Electrical power supply V 200/230 1Ph

Maximum power installed kW 1.2

Hourly output pcs/h 0 - 300

Available dimensions of the sealing bars mm 380 x 250

MAX reel dimensions mm Ø200 x 350

MAX product size mm 350 x 240 x 140

Machine dimensions with the lid open mm 930 x 550 x h.580

Machine dimensions with the lid closed mm 930 x 550 x h.370

Weight (Net/Gross) kg 36/48

OPTIONAL FEATURES

2nd tabletop reel support

Carriage



MINIMA has always been the smallest model of the range of packaging machines marketed by **MINIPACK®-TORRE**.

Designed for small to medium-sized production operations, its strong point is in its combination of versatility and compactness.

Its absolute reliability and high efficiency, combined with low energy consumption and ease of use are features that make the **MINIMA** model machine truly unique in its class.

REPLAY 40 evo and REPLAY 55 evo

REPLAY 40 evo and **REPLAY 55 evo** models combine significant technology features with an economical and compact design that focuses on the essentials without ever losing sight of the excellence typical of all **MINIPACK®-TORRE** machines.

TECHNICAL DATA

		REPLAY 55 evo	REPLAY 40 evo
ELECTRICAL POWER SUPPLY	V	180-210*/230 1Ph	180-210*/230 1Ph
POWER	kW	3.15	2.6
HOURLY OUTPUT	pcs/h	0 - 300	0 - 300
AVAILABLE DIMENSIONS OF THE SEALING BARS	mm	540 x 390	420 x 280
MAX REEL DIMENSIONS	mm	Ø250 x 600	Ø250 x 500
MAX PRODUCT SIZE	mm	500 x 380 x 200	400 x 250 x 160
WORK SURFACE HEIGHT	mm*	925	925
MACHINE DIMENSIONS WITH THE LID OPEN	mm	1260 x 810 x h.1310	1160 x 700 x h.1220
MACHINE DIMENSIONS WITH THE LID CLOSED	mm	1260 x 810 x h.1165	1160 x 700 x h.1120
WEIGHT (NET/GROSS)	kg	105/126	90/111

*=with autotransformer



REPLAY 55 evo

OPTIONAL FEATURES

Stainless steel packaging plate

Smoke intake

Blowing unit

High hood 300 mm (only for REPLAY 55 evo model)

Film rewinder

Film opening sheet metal

2nd reel support

2nd tabletop reel support



REPLAY 40 evo

FM75 evo

MINIPACK®-TORRE continues to hold true to the pioneering spirit that has always been its hallmark. In fact, it was the invention of the first bell-type packaging machine that brought the company into being more than 40 years ago; it was in 1976, then, that it gained its first patent. But innovative ideas march ever onwards.



MINIPACK®-TORRE, after years of research and development, is now launching a new range that brings together all the qualities of reliability, ease of use, and toughness of its compact packaging machines.

TECHNICAL DATA

Electrical power supply V 180-210*/230 1Ph
Maximum power installed kW 2.6
Hourly output pcs/h 0 - 300
Available dimensions of the sealing bars mm 420 x 280
MAX reel dimensions mm Ø250 x 500
MAX product size mm 400 x 250 x 160
Work Surface Height mm 925
Machine dimensions with the lid open mm 1160 x 700 x h.1220
Machine dimensions with the lid closed mm 1160 x 700 x h.1120
Weight (Net/Gross) kg 112/136

OPTIONAL FEATURES

Stainless steel packaging plate
Smoke intake
Blowing unit
Film opening sheet metal
2nd reel support
2nd tabletop reel support
*=with autotransformer

FM76 evo



TECHNICAL DATA

Electrical power supply V 180-210*/230 1Ph
Maximum power installed kW 3.15
Hourly output pcs/h 0 - 300
Available dimensions of the sealing bars mm 540 x 390
MAX reel dimensions mm Ø250 x 600
MAX product size mm 500 x 380 x 200
Work Surface Height mm 925
Machine dimensions with the lid open mm 1260 x 810 x h.1310
Machine dimensions with the lid closed mm 1260 x 810 x h.1165
Weight (Net/Gross) kg 126/150

OPTIONAL FEATURES

Stainless steel packaging plate
Smoke intake
Blowing unit
High hood 300 mm
Film opening sheet metal
2nd reel support
2nd tabletop reel support
*=with autotransformer

RP85 and FC77

NEW TECHNICAL FEATURES

- Innovative upper hood fastening: simplified maintenance and enhanced stability
 - Sealing blades safety control: enhanced machine safety
 - Support with larger reel diameter (to 300 mm): suitable for micro-punched film to pack bread
 - Packaging plate separated from the reel support: suitable to package even very small products with the same film reel
 - Innovative micro-perforator: continuous and optimal perforation
 - New ultra-flat tactile membrane: waterproof and with intuitive graphics not associated with the board
 - 3-digit display: visibility and comprehensive information
- Board with 10 programs to meet any programming need
 - Piece counter included: a more exhaustive supply of equipment
 - Board access through a door: easier maintenance from the front
 - Longer screened plate: chamber opening flap protection
 - Boosted fan motor: superior shrinking performance
 - Added safety thermostat installed directly on the resistor of the heat chamber: greater safety for the machine
 - Glue-less neoprene rubber support: easy to replace, does not require the use of glue.
 - Standard sealing bar cooling: optimal sealing (only for FC77 model)



RP85



FC77

FM90 DIGIT

The **FM90 DIGIT** is the largest model in the bell-type machine range, and is ideal for packaging large items while maintaining the range's usual productivity and quality. The **FM90** model is made entirely of painted steel and can meet any and all production requirements.

Key features of this model include: factory-fitted sealing and shrinking magnet, six different programs, sealing by means of adjustable impulse blade, safety thermostat, adjustable work surface and sliding carriage, film micro-puncher and motorized scrap winder.

Two operating modes: sealing only and sealing with wrapping.

TECHNICAL DATA

	RP85	FC77	FM90 DIGIT
ELECTRICAL POWER SUPPLY	V 200/208/230/400 3Ph	200/208/230/400 3Ph	200/208/380 3Ph
POWER	kW 5.1	5.15	7.2
HOURLY OUTPUT	pcs/h 0 - 300	0 - 300	0 - 300
AVAILABLE DIMENSIONS OF THE SEALING BARS	mm 840 x 590	840 x 590	1280 x 800
MAX REEL DIMENSIONS	mm Ø300 x 800	Ø300 x 800	Ø260 x 1000
MAX PRODUCT SIZE	mm 800 x 500 x 200	800 x 500 x 200	1200 x 800 x 120
WORK SURFACE HEIGHT	mm 940	940	910
MACHINE DIMENSIONS WITH THE LID OPEN	mm 1950 x 1000 x h.1480	1950 x 1000 x h.1180	2800 x 1280 x h.1540
MACHINE DIMENSIONS WITH THE LID CLOSED	mm 1950 x 1000 x h.1180	-	2800 x 1280 x h.1170
WEIGHT (NET/GROSS)	kg 212/264	220/272	455/505



REPLAY 55 C evo

OPTIONAL FEATURES

Stainless steel packaging plate
Blowing unit
High hood 300 mm
Film rewinder
Film opening sheet metal
2nd reel support
2nd tabletop reel support

TECHNICAL DATA

		REPLAY 55 C evo	FM 76A evo	FC77A
ELECTRICAL POWER SUPPLY	V	200/400 3Ph - 230 1Ph	200/230/400 3Ph 230 1Ph	200/208/230/400 3Ph
POWER	kW	3.4	3.6	6
HOURLY OUTPUT	pcs/h	0 - 500	0 - 650	0 - 350
AVAILABLE DIMENSIONS OF THE SEALING BARS	mm	540 x 390	540 x 390	840 x 590
MAX REEL DIMENSIONS	mm	Ø250 x 600	Ø250 x 600	Ø300 x 800
MAX PRODUCT SIZE	mm	500 x 380 x 200	500 x 380 x 200	800 x 500 x 200
WORK SURFACE HEIGHT	mm	925	925	940
MACHINE DIMENSIONS WITH THE LID OPEN	mm	1260 x 810 x h.1310	1930 x 810 x h.1310	3120 x 1000 x h.1480
MACHINE DIMENSIONS WITH THE LID CLOSED	mm	1260 x 810 x h.1165	1930 x 810 x h.1165	3120 x 1000 x h.1180
WEIGHT (NET/GROSS)	kg	133/154	174/198	286/338

PLC PRESENT ON ALL 3 MACHINES

- The graphic touch-screen control panel has an userfriendly menu in 8 different languages, with 10 easyto- manage storable programs to meet all programming needs.
- The LCD 3.4" display offers visibility and comprehensive information.
- The USB communication port allows immediate software updating in the event of maintenance operations.
- Possibility of "automatic" working cycle (processing cycles in sequence and programmable pause interval) or "manual" (individual working cycle).
- The control logic is managed by a Schneider Electric PLC, with capillary service and components that can be procured practically everywhere.
- The PLC can be accessed through a hatch on the front for easier maintenance.

NEW TECHNICAL FEATURES

- **Hood automation:** increased productivity



FM76 A evo and FC77A

NEW TECHNICAL FEATURES

- Graphic touch-screen control panel with: Intuitive menu with 10 user-friendly programs that can be preset Menu in 8 languages (IT, EN, DE, FR, ES, PT, CS, RU) USB port for any software updates Standard Schneider Electric PLC control logic with widespread assistance
- Option of having an 'Automatic' work cycle (press the start button cycles performed in sequence, interrupted by the programmed pause interval) and a 'Manual' work cycle (press the start button to perform one packaging cycle)

- Wire product evacuation mesh belt
- Shrink fan stop
- Standard sealing bar cooling: optimal sealing
- Adjustable chamber opening according to the product height: reduced loss of hot air and resulting energy savings, higher production speed
- Innovative upper hood fastening: simplified maintenance and enhanced stability
- Sealing blades safety control: enhanced machine safety

- Support with larger reel diameter (to 300 mm): suitable for micro-punched film to pack bread (only for FC77A model)
- Packaging plate separated from the reel support: suitable to package even very small products with the same film reel
- Innovative micro-perforator: continuous and optimal perforation
- Chamber opening blade protection
- Boosted fan motor: superior shrinking performance
- Added safety thermostat installed directly on the resistor of the heat chamber: greater safety for the machine
- Glue-less neoprene rubber support: easy to replace, does not require the use of glue

NEW TECHNICAL FEATURES

- **Automated plate:** higher productivity

FM76 A evo



OPTIONAL FEATURES

Stainless steel packaging plate
Blowing unit
High hood 300 mm
High hood 490 mm (only for FC77A model)
Film opening sheet metal
2nd tabletop reel support
Roller conveyor lg. 1 m
Blade internal front protection

SYNTHESIS INOX

SPECIALY DESIGNED FOR THE FOOD INDUSTRY



SYNTHESIS INOX is ideal for food packaging – e.g. pizza, sweets, or bread – all easily and hygienically.

The new globally-patented forced ventilation system located on the back of the machine enables the maintenance of constant temperature with no overheating.

The machine is easy to clean – and totally hygienic too – because it has no motors, fans or a felt-bottomed hood.

High-efficiency sealing and shrinking for any film type can be performed simultaneously by using settings directly viewable on the display screen.

This mix of technological innovations brings significant energy savings (up to 20%).

TECHNICAL DATA

Electrical power supply V 230 1Ph

Maximum power installed kW 3.2

Hourly output pcs/h 0 - 300

Available dimensions of the sealing bars mm 530 x 390

MAX reel dimensions mm Ø250 x 600

MAX product size mm 500 x 380 x 250

Work Surface Height mm 915

Machine dimensions with the lid open mm 1280 x 780 x h.1400

Machine dimensions with the lid closed mm 1280 x 780 x h.1180

Weight (Net/Gross) kg 100/134



MANUAL OPTIONALS

SMOKE INTAKE

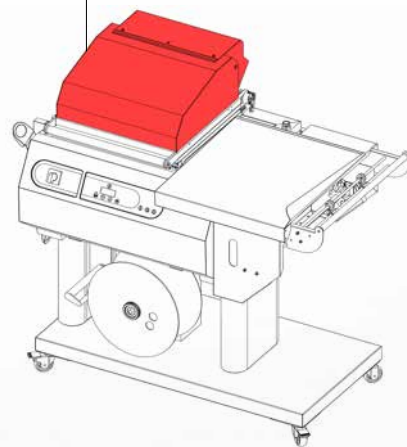
The smoke intake is installed with a special knock-out hood on its back; it is also equipped with an active carbon filter to reduce the smoke produced during sealing which escapes when the hood is opened. It is ideal for PVC film users. Smoke is sucked in and filtered using the crossflow fan thus keeping the air in the operator's work area clean.

FAN TECHNICAL DATA:

- Voltage: 230 V
- Infeed power: 80 W

OPTIONAL ON THE FOLLOWING MODELS

- AF310A01** FM75 - REPLAY 40 evo
AF320A01 FM76 - REPLAY 55 evo
AF350A01 FC77 - FC77A - RP85

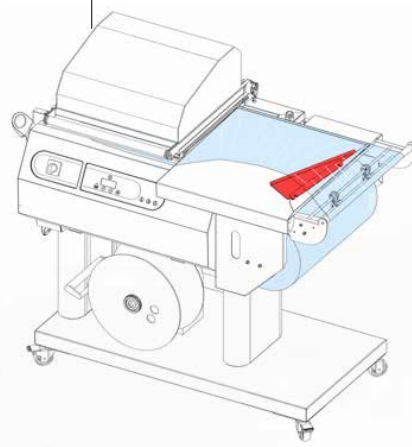


FILM OPENING SHEET METAL

This option facilitates the insertion of products on the packaging plate.

OPTIONAL ON THE FOLLOWING MODELS

- FM095280** FM75 evo - REPLAY 40 evo
FM095279 M76/76A evo - REPLAY 55/55C evo - Synthesis - Eco Modular - Modular 50S - Media Matic
FM095249 FC77 - FC77A - RP85 - Modular 70

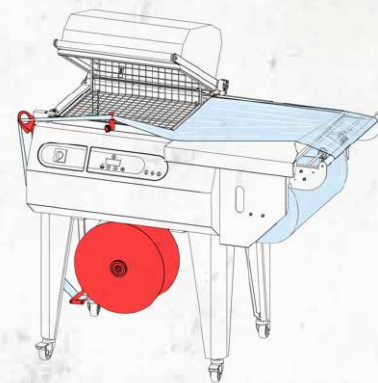


SCRAP WINDER

The scrap winder collects the off-cuts from the sealed film thereby enabling tidier working practices and also saving time during packaging.

OPTIONAL ON THE FOLLOWING MODELS

- AV990A17** REPLAY 40/55/55C evo
AV020A80 Synthesis



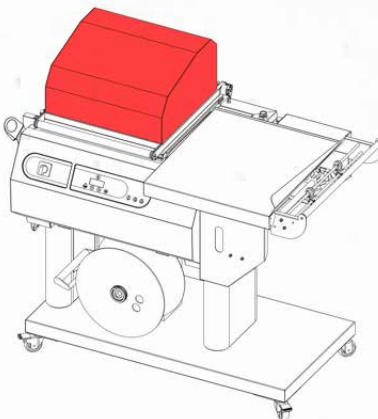
HIGH HOOD

OPTIONAL ON THE FOLLOWING MODELS

KR320040 Upper hood H=300mm
 FM76/76A evo - REPLAY 55/55A evo
 The 300 mm high hood enables the packaging of products up to a maximum height of 300 mm.

KR350040 Upper hood H=300mm
 FC77/FC77A - RP85
 The 300 mm high hood enables the packaging of products up to a maximum height of 350 mm.

KR350041 Upper hood H=490mm
 FC77/FC77A - RP85
 The 490 mm high hood enables the packaging of products up to a maximum height of 500 mm.

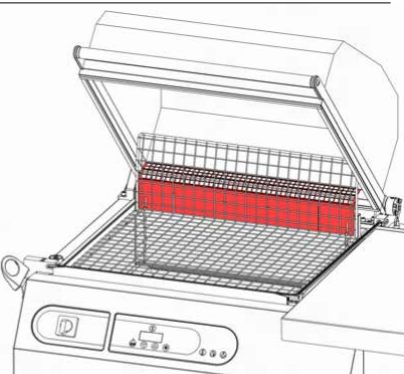


STAINLESS STEEL AIR DEFLECTOR

Recommended option for those who have to package very large products. The air deflector prevents the hot air generated by the fans from blowing directly against the product to be packaged.

OPTIONAL ON THE FOLLOWING MODELS

- FM091332** FM75 evo - REPLAY 40 evo
FM091332 FC77 - FC77A - RP85 (No. 2 pieces)
FM090335 FM76/76A evo - REPLAY 55/55C evo

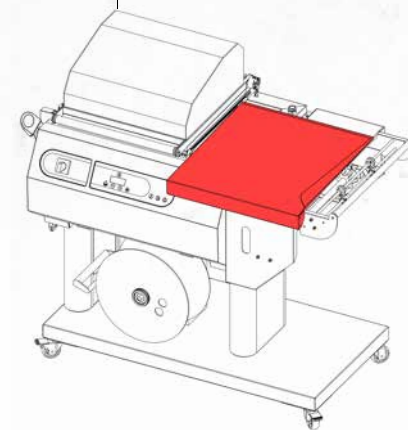


STAINLESS STEEL PACKAGING PLATE

The stainless steel packaging plate ensures hygiene and ease of cleaning. As such, it is highly recommended for the packaging of food products since it is the only part of the machine that actually comes into contact with the product to be packaged.

OPTIONAL ON THE FOLLOWING MODELS

- KR310042** FM75 evo - REPLAY 40 evo
KR320042 FM76/76A evo - REPLAY 55/55C evo
KR350042 FC77 - FC77A - RP85
KR020042 Synthesis
KR020043 Eco Modular - Modular 50S - Media Matic

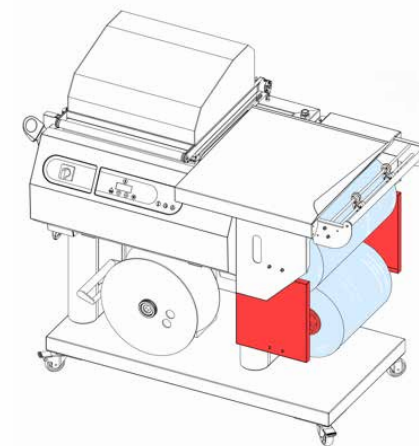


2ND REEL SUPPORT KIT

The "second reel support" allows for easy use of two reels with different strips. This saves time in case of frequent packaging of products of different sizes.

OPTIONAL ON THE FOLLOWING MODELS

- PB31N001** FM75 evo - REPLAY 40 evo
PB32N001 FM76/76A evo - REPLAY 55/55C evo
PB02N080 Synthesis
PB02N000 Eco Modular - Modular 50S



BLOWER

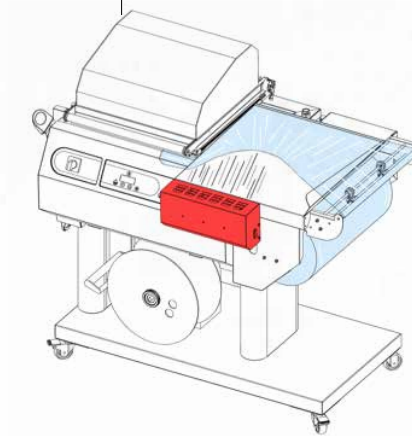
The blown air lifts the film into the product insertion area, making it easier to place the product on the packaging plate.

BLOWING UNIT TECHNICAL DATA:

- Voltage: 230 V
- Infeed power: 80 W

OPTIONAL ON THE FOLLOWING MODELS

- GS000011** FM75/76/76A evo - REPLAY 40/55/55C evo - Eco Modular - Modular 50S - Media Matic
GS000012 FC77 - FC77A - RP85 - Modular 70
GS020A80 Synthesis

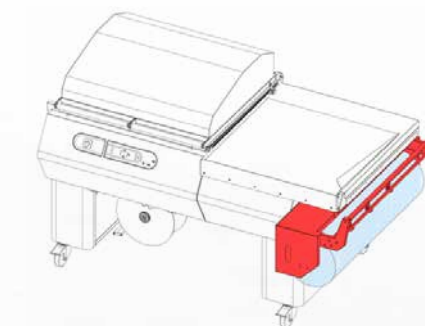


LARGER REEL SUPPORT KIT

The "larger" reel support enables the mounting of reels of maximum 1000 mm width strips on the machine.

OPTIONAL ON THE FOLLOWING MODELS

- KR350043** FC77 - FC77A
KR350044 RP85 - Modular 70

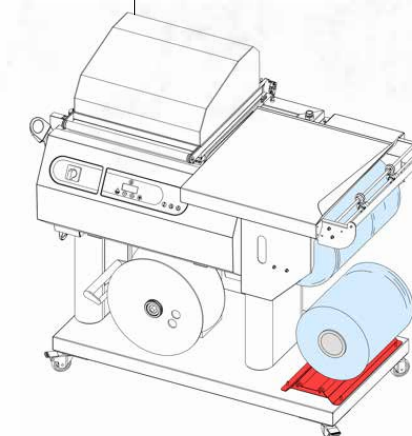


2ND TABLETOP REEL SUPPORT KIT

This support, placed on the floor or on the tabletop, allows for easy use of two reels with different strips. This saves time in case of frequent packaging of products of different sizes.

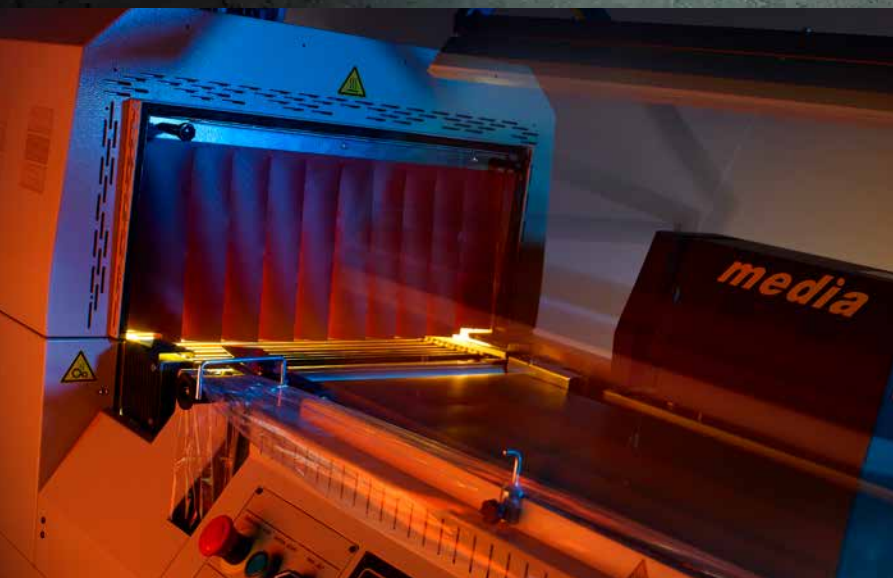
OPTIONAL ON THE FOLLOWING MODELS

- PB31N002** FM75/76/76A evo - REPLAY 40/55/55C evo - Minima evo - Synthesis - Eco Modular - Modular 50S - Media Matic
PB31N002 FC77 - FC77A - RP85 - Modular 70 (No. 2 pieces)



SEMI-AUTOMATIC RANGE

MAXIMUM FLEXIBILITY,
MINIMUM EFFORT



MINIPACK®-TORRE produces manual and semi-automatic angular packaging machines perfect for all kinds of requirements. Ideal for small and medium-sized enterprises that have to pack up to 900 pieces/hour and want to deliver professional shrink-wrap packaging to the same standard as high-end industrial packaging.

The range of semi-automatic angular packaging machines offers four models that ensure maximum precision and speed. The first – **MEDIA** – already has a shrink **TUNNEL** built into the mono-block structure. The other three need to be combined with a shrink tunnel if shrink-wrapped packaging is required.

MEDIA

MEDIA is **MINIPACK®-TORRE**'s latest addition to its semi-automatic modular angular packaging machine range, offering a mono-block structure that sets it apart from the other models. In particular, the shrink tunnel – which is equipped with a system to regulate speed, height and packaging temperature – is fully integrated with the sealing unit, thus making the machine's structure versatile and compact.

MEDIA offers an enviable range of high-profile technical solutions, including electronic regulation of sealing time and teflon-coated blades ensuring the complete absence of smoke. At the same time, this angular packaging machine comes with full functionality as standard: sealing bar and motorised scrap winder supplied. **MEDIA'S STEEL IT** finish version is ideal for the needs of the food and pharmaceutical industries.

In short, **MEDIA** is a perfect packaging machine for all companies that think big!



TECHNICAL DATA

Electrical power supply V 208/230/400 3Ph

Maximum power installed kW 5.7

Hourly output pcs/h 0 - 750

Available dimensions of the sealing bars mm 540 x 400

MAX reel dimensions mm Ø350 x 600

MAX product size mm 500 x 360 x 200

Work Surface Height mm 875

Dimensioni ingresso tunnel mm 440 x 240

Dimensioni macchina mm 2780 x 730 x h.1400

Weight (Net/Gross) kg 287/343

MODULAR 50S

The semi-automatic angular machines of the **MODULAR** line meet the need for maximum flexibility in packaging, product quality and affordable investment.

Recently updated and revised, **MODULAR 50S** and **MODULAR 70** are now capable of packaging products using any kind of material, with highly attractive results.

TECHNICAL FEATURES

Teflon coated sealing blade.

Double sealing bar with shock absorber.

Continuous cycle cooling system.

Manual or automatic mode.

Adjustable working plate.

Motor driven conveyor belt with adjustable speed.

Oversized waste film winder.

Integrated roll support.

Digital panel with 6 programs.

Product counter.

Bar opening delay allows sealer to cool down.

Machine on wheels.

Emergency off switch..

TECHNICAL DATA

Electrical power supply V 200/208/230/400 3Ph 230 1Ph

Maximum power installed kW 2.3

Hourly output pcs/h 0 - 900

Available dimensions of the sealing bars mm 540 x 400

MAX reel dimensions mm Ø250 x 600

MAX product size mm 500 x 360 x 200

Work Surface Height mm 930

Machine dimensions with the sealing frame open mm 1565 x 750 x h.1400

Machine dimensions with the sealing frame closed mm 1565 x 750 x h.1100

Weight (Net/Gross) kg 151/182

MODULAR 70

The **MODULAR LINE** uses an electronically controlled sealing system and the most advanced safety devices. The use of the lines in automatic or semi-automatic mode and the customization of the operating programs simplify the packaging phases and maximize the production yield. **MODULAR 50S** and **MODULAR 70** can be used with the **MINIPACK®-TORRE TUNNEL** line.

TECHNICAL FEATURES

Teflon-coated sealing blade.

Double sealing bar with shock absorber.

Continuous cycle cooling system.

Manual or automatic mode.

Adjustable work surface.

Motorised belt with speed control.

Extra-large scrap recoiler.

Built-in reel support.

Digital panel with 6 programs.

Piece counter.

Packaging plate lock.

Delayed bar opening to cool sealed areas.

Machine with wheels.

Emergency switch.

TECHNICAL DATA

Electrical power supply V 200/208/230/380 3Ph

Maximum power installed kW 2.3

Hourly output pcs/h 0 - 900

Available dimensions of the sealing bars mm 840 x 600

MAX reel dimensions mm Ø300 x 800

Work Surface Height mm 930

Machine dimensions with the sealing frame open mm 2070 x 960 x h.1510

Machine dimensions with the sealing frame closed mm 2070 x 960 x h.1220

Weight (Net/Gross) kg 243/290



ECOMODULAR

A wide sealing surface of 540x390 mm is the key feature of **ECOMODULAR**, a manual angular packaging machine that is simple and practical to use. The sealing blade, positioned at the bottom, is equipped with a simple and effective temperature control system and enables optimal

sealing with all types of film. This machine is available in a version with automated unloading belts and can be used with the **TUNNEL 50**. This solution makes it possible to obtain perfectly shrink-wrapped packages that can meet any type of packaging requirements.

TECHNICAL DATA

Electrical power supply V	230 1Ph
Maximum power installed kW	2.2
Hourly output pcs/h	0 - 550
Available dimensions of the sealing bars mm	540 x 390
MAX reel dimensions mm	Ø250 x 600
MAX product size mm	500 x 360 x 250
Work Surface Height mm	930
Machine dimensions with the sealing frame open mm	1570 x 730 x h.1400
Machine dimensions with the sealing frame closed mm	1570 x 730 x h.1100
Weight (Net/Gross) kg	101/130



MODULAR 50S and MEDIA STEEL IT

The **MODULAR 50S STEEL IT** and **MEDIA STEEL IT** semi-automatic angular machines meet the need for maximum flexibility in packaging, product quality and affordable investment, and are ideal for the food and pharmaceutical sectors. Recently updated and revised, **MODULAR 50S STEEL IT** and **MEDIA STEEL IT** are capable of packaging products using any kind of material, with highly attractive results. The **STEEL IT** coating makes the **MODULAR 50S STEEL IT** and **MEDIA STEEL IT** angular packaging machines highly durable in high humidity environments – the perfect solution for companies that package food and pharmaceutical products.

TECHNICAL DATA

		MODULAR 50S STEEL IT	MEDIA STEEL IT
ELECTRICAL POWER SUPPLY	V	208/230 3Ph - 230 1Ph	208/230/400 3Ph
POWER	kW	2.3	5.7
HOURLY OUTPUT	pcs/h	0 - 900	0 - 750
AVAILABLE DIMENSIONS OF THE SEALING BARS	mm	540 x 400	540 x 400
MAX REEL DIMENSIONS	mm	Ø250 x 600	Ø350 x 600
MAX PRODUCT SIZE	mm	500 x 360 x 200	500 x 360 x 200
WORK SURFACE HEIGHT	mm	930	875
MACHINE DIMENSIONS WITH THE SEALING FRAME OPEN	mm	1565 x 750 x h.1400	2780 x 730 x h.1400
MACHINE DIMENSIONS WITH THE SEALING FRAME CLOSED	mm	1565 x 750 x h.1100	2780 x 730 x h.1400
WEIGHT (NET/GROSS)	kg	151/182	287/343
TUNNEL ENTRANCE DIMENSIONS	mm	-	440 x 240



MEDIA STEEL IT



TUNNEL

FLEXIBLE AND UPDATED SOLUTIONS TO GET THE BEST PACKAGING

The **TUNNEL 50**, **50 TWIN** and **70** has been designed to be perfectly integrated with the Pratika automatic packaging machines. They solve the needs to pack the products with great technical and esthetical results. The technical and aesthetic updates can meet a number of packaging needs in a flexible and effective manner with a wide variety of heat-shrink films.

The **INOX** versions are ideal for the needs of the food-processing and pharmaceutical sector.



TUNNEL 50 DIGIT

TECHNICAL FEATURES

- Manual belt height adjustment
- Digital display with 9 programs that can be selected and customised
- Option of selecting the auto-rotating feature for the rollers
- Product conveyor
- Adjustable double air baffles
- Auto-off program
- Outfeed roller conveyor provided as standard

TECHNICAL DATA

- Electrical power supply V 200/208/220/400 3Ph
- Maximum power kW 7.2
- Maximum product dimensions mm 400 x 220 x L. (The length depends on shape of product, belt speed, type of film, ...)
- Machine dimensions mm 1770 x 840 x h.1465
- Machine weight (net/gross) kg 188/236
- Tunnel infeed dimensions mm 450 x 240



TUNNEL 50 DIGIT INOX

TUNNEL 70 DIGIT

TECHNICAL FEATURES

- Manual belt height adjustment
- Digital display with 9 programs that can be selected and customised
- Option of selecting the auto-rotating feature for the rollers
- Product conveyor
- Adjustable double air baffles
- Auto-off program
- Outfeed roller conveyor provided as standard
- Two independent heating rooms

TECHNICAL DATA

- Electrical power supply V 200/208/220/380 3 Ph
- Maximum product dimensions mm 650 x 350 x L. *(The length depends on shape of product, belt speed, type of film, ...)*
- Machine dimensions mm 2770 x 1160 x h.1640
- Cart weight (net/gross) kg 415/483
- Tunnel infeed dimensions mm 680 x 390



TUNNEL 50 TWIN

TECHNICAL FEATURES

- Manual belt height adjustment
- Digital display with 9 programs that can be selected and customised
- Option of selecting the auto-rotating feature for the rollers
- Product conveyor
- Adjustable double air baffles
- Auto-off program
- Outfeed roller conveyor provided as standard
- Two independent heating rooms

TECHNICAL DATA

- Electrical power supply V 200/208/220/380 3Ph
- Maximum power kW 13.2
- Maximum product dimensions mm 400 x 190 x L. *(The length depends on shape of product, belt speed, type of film, ...)*
- Machine dimensions mm 2130 x 800 x h.1460
- Machine weight (net/gross) kg 260/318
- Tunnel infeed dimensions mm 450 x 210



TUNNEL 50 TWIN INOX

TUNNEL 50 TWIN GT

INNOVATION OPTIMIZES THE PROCESS

The **TUNNEL 50 TWIN GT** has been designed to be perfectly integrated with the Pratika automatic packaging machines. Thanks to the electrical and electronic components of Schneider Electric it is finally possible to check any aspect of retraction. Connecting the tunnel to a Pratika automatic packaging machine it will be possible to have all the parameter checked directly from the touch screen of the machine.

The double heating room with separated regulation, fans speed and temperature control, the exceptional termic insulation, the high passage and retraction speed, make this Tunnel the ideal machine to solve every packaging need with great effectiveness. The new plastic conveyor belt, ideal for high temperature, guarentees more stability to products and less wear.

TECHNICAL FEATURES

New control logic managed by PLC TM221 Schneider Electric with 9 customizable programs, 256 if connected to Pratika packaging machine

4.3-inch colour touchscreen console

Product conveyor

Adjustable double air baffles

Auto-off program

Outfeed roller conveyor provided as standard

Two independent heating rooms

Internal lighting for an ideal and safe vision

Transparent glass control window (world patent) Patent

Second inverter for motor fan speed regulation

Bump on the conveyor belt manually adjustable

TECHNICAL DATA

Electrical power supply V 400 3Ph

Maximum power kW 14.2

Maximum product dimensions mm 400x135 (with standard curtain)

Maximum product dimensions mm 400x200 (with curtain kit)

Machine dimensions mm 2170 x 910 x h.1460

Machine weight (net/gross) kg 294/352

TECHNICAL INNOVATIONS

- New control logic managed by PLC TM221 Schneider Electric with 9 customizable programs
- 4.3-inch colour touchscreen console
- Internal lighting for an ideal and safe vision
- Transparent glass control window (world patent) Patent
- Adjustable double air baffles
- Two independent heating rooms
- Conveyor belt in hi-tech plastic material
- Second inverter for motor fan speed regulation
- Bump on the conveyor belt manually adjustable

PERFECT INTERFACEABILITY

- Interface with Ethernet cable with the programs of every model of Pratika range; this allows to set up all the parameters (temperature, conveyor speed, fan speed) from the program that is showed on the packaging machine.
- Start/stop the operating cycle



TUNNEL OPTIONALS

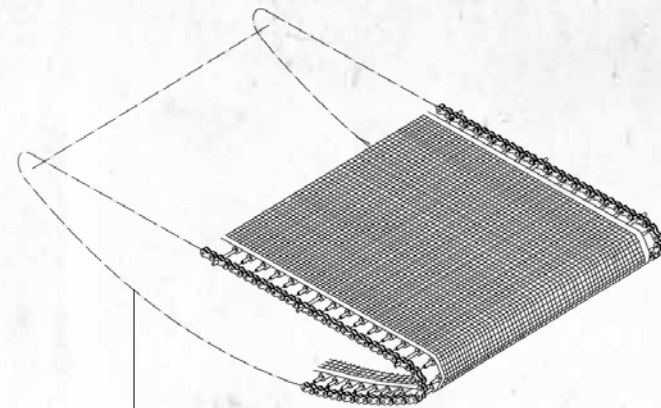
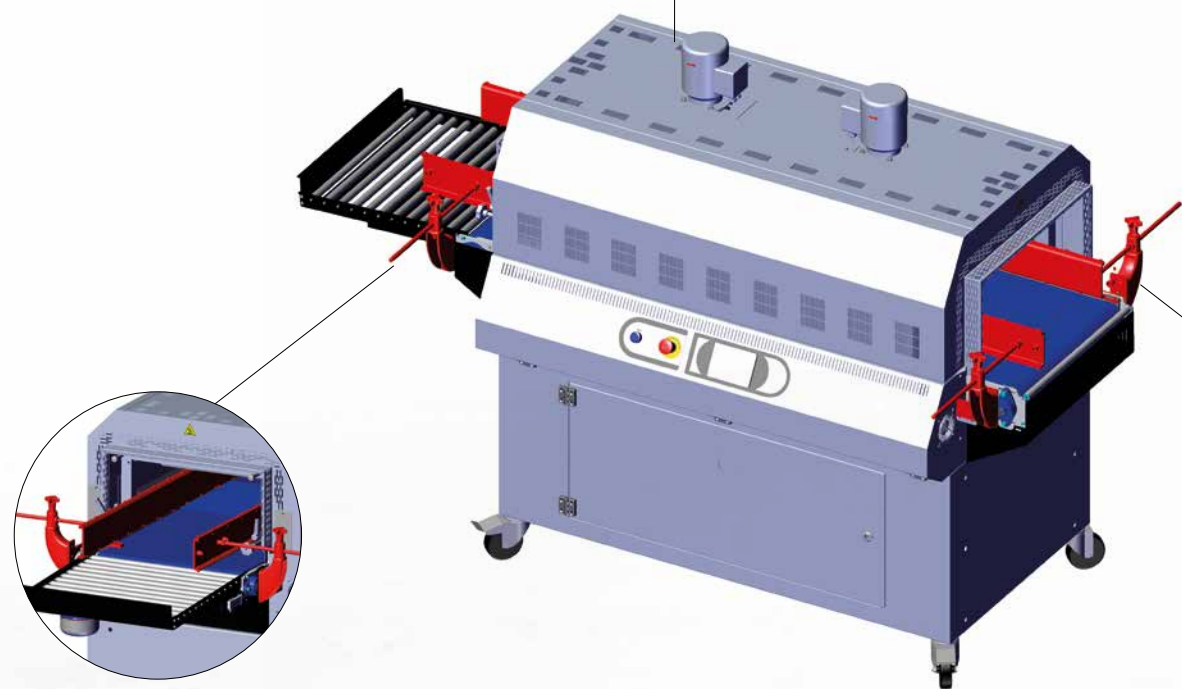
KR250012 - KR090024

GUIDE KIT

Fixed to the tunnel's conveyor belt, this is the ideal solution for wrapping products that are unstable or irregular in shape. The 2 adjustable side rails allow it to hold products with a maximum width of 430 mm.

OPTIONAL ON THE FOLLOWING MODELS

KR250012 Tunnel 50 Twin
KR090024 Tunnel 50



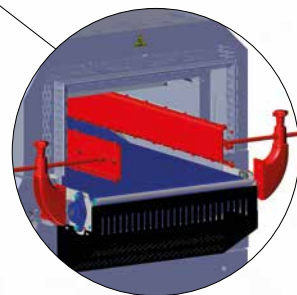
FM710010 - FM710012 - FM710015

PTFE BELT

Suitable when working with very small products that might get stuck in the film roll and for working with polyethylene material at high temperatures.

OPTIONAL ON THE FOLLOWING MODELS

FM710010 Tunnel 50
FM710012 Tunnel 70
FM710015 Tunnel 50 Twin



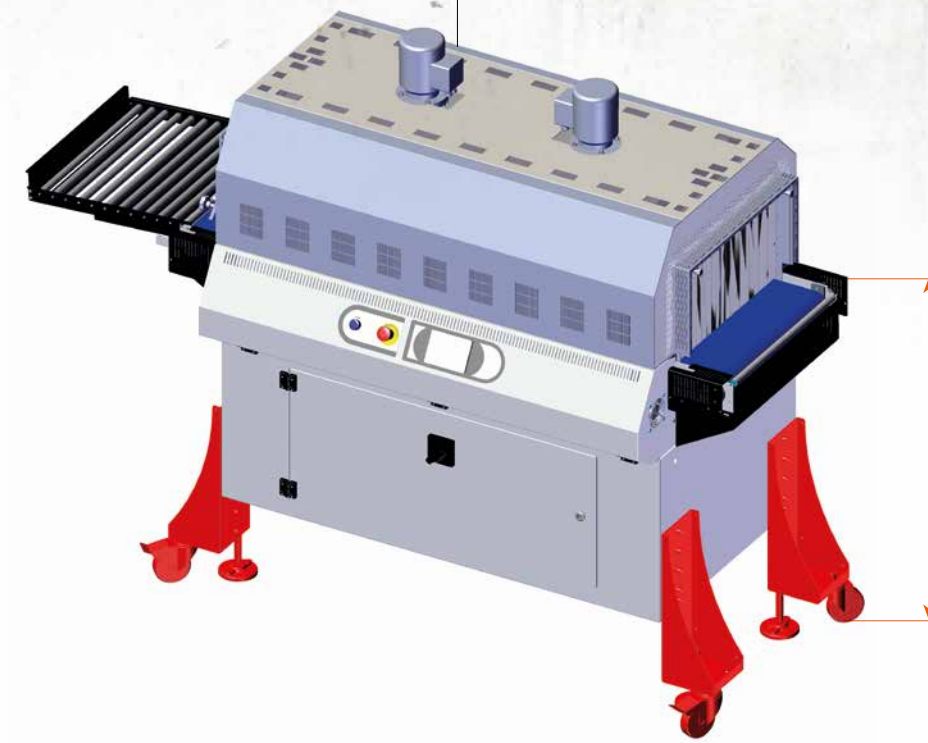
KR250009

TUNNEL 50 TWIN GT HEIGHT ADJUSTMENT KIT

Comprising 4 supports fixed to the bodywork, it allows the height of the conveyor belt to be adjusted according to the input or output machine's working surface height.

OPTIONAL ON THE FOLLOWING MODELS

Tunnel 50 Twin GT



Min 770 mm
 Max 1050 mm

RU140001

ROLLER TABLE 70 X 100

Unloading roller table for use where there is no automated line continuation after products leave the tunnel.

ADVANTAGES

Ideal for working with small products thanks to the number of rollers being doubled.

OPTIONAL ON THE FOLLOWING MODELS

Tunnel 70

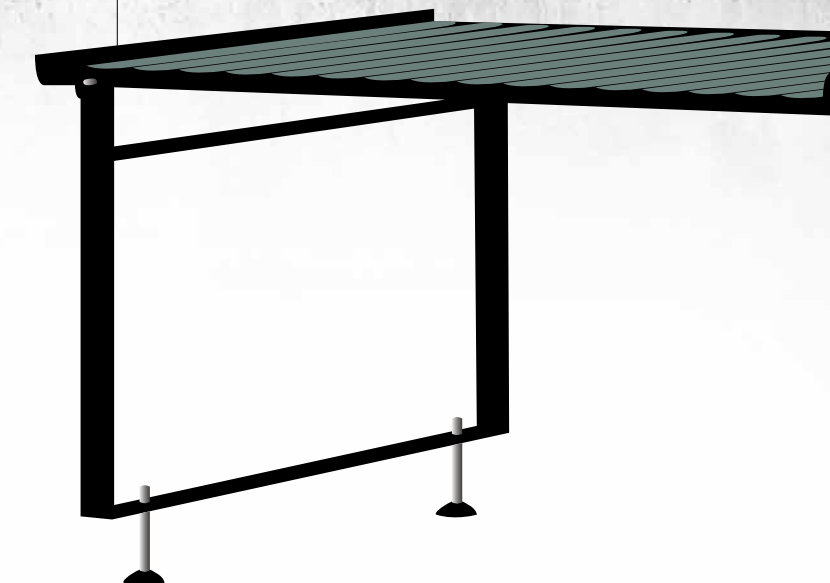
RU020004

ROLLER TABLE 40 X 100

Unloading roller table with 15° incline. Length: 1 mt.

OPTIONAL ON THE FOLLOWING MODELS

Tunnel 50 / 50 Twin





minipack® - torre
The Original Pioneers

MINIPACK-TORRE S.P.A.

Via Provinciale, 54 - 24044 Dalmine (BG) - Italy

Tel.: +39.035563525 - Fax +39.035564945

www.minipack-torre.it - info@minipack-torre.it

