



**minipack®**  
THE ORIGINAL PIONEER



# PRATIKA 56 MPS X2

E N G

# PRATIKA 56 MPS X2

Automatic packaging machine with continuous sealing  
Electrical and servo-assisted - Sealing bar 400mm X ∞ - max product h 240mm

## DESCRIPTION

The new **PRATIKA 56 MPS X2** is a **servo-assisted** automatic shrink wrapping machine, equipped as standard with the **Side Seal** device, continuous sealing with no length limits, as well as **Center Sealing** and fully electric operation.

This machine, suitable for packaging formats up to **400mm in width** and **240mm in height**, has been enhanced in all mechanical and electronic components to achieve a production rate of up to **3600 pieces per hour** (depending on product dimensions and film used).

The **PRATIKA 56 MPS X2** thus represents a perfect synthesis of **reliability, high performance, versatility, and safety**, further evolving the concept of automatic shrink film packaging machines.

The most appreciated model of the new range of **Minipack** automatic packaging machines:

- Continuous sealing system.
- **Side seal impulse blade**, allows the temperature to go from **0°C to 200°C in a few seconds**, maintaining a constant temperature for uniform side sealing.
- **Easy and fast film positioning system** in the side seal.
- Materials and technical solutions chosen for **long-lasting use**.
- Access to every part of the machine for **easy maintenance**.
- **Brushless servomotor**, ensures **constant pressure** on the sealing bar and thus always consistent sealing.
- Control logic managed by **PLC**.
- The machine offers **remarkable versatility and convenience**, allowing the operator to **work easily from both sides** thanks to the movable PLC, the presence of a double door, and a rear drawer that facilitates effortless coil change.
- **Fully electric**, with no need for compressed air, ensuring reduced energy consumption.
- Adjustable and electronic **Center Sealing** sealing device.
- **CE compliance**.



Watch  
the video



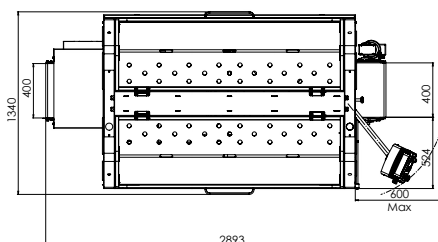
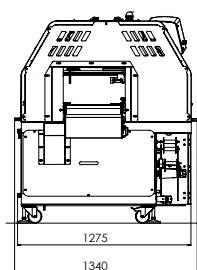
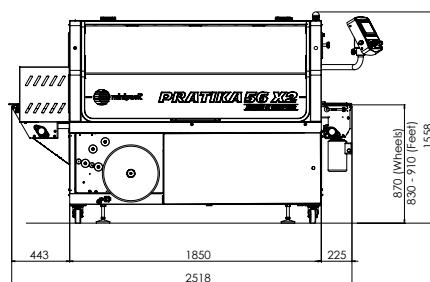
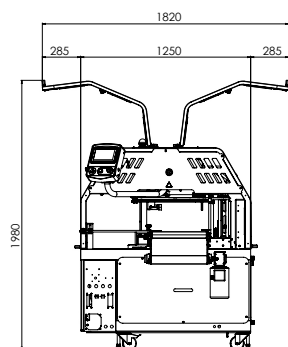
# PRATIKA 56 MPS X2

Automatic packaging machine with side sealing  
 Electrical and servo-assisted - Sealing bar 400mm X ∞ - max product h 240mm



## TECHNICAL FEATURES

Electrical power supply	V	230V 1Ph
Max power installed	kW	2,5
Maximum current	A	11
Hourly production	p/h	4000
Max product dimensions (width)	mm	400
Max product dimensions (height)	mm	240
Max product dimensions (length)	mm	∞
Max reel dimensions (Ø x length)	mm	Ø350x700
Infeed belt height	mm	870 (with wheels) 830-910 (without wheels)
Machine dimensions (opened doors)	mm	2893X1340X1558
Machine dimensions (closed doors)	mm	2893X1820X1980
Machine packaging dimensions	mm	2970X1650X2000
Machine color		RAL7035 textured



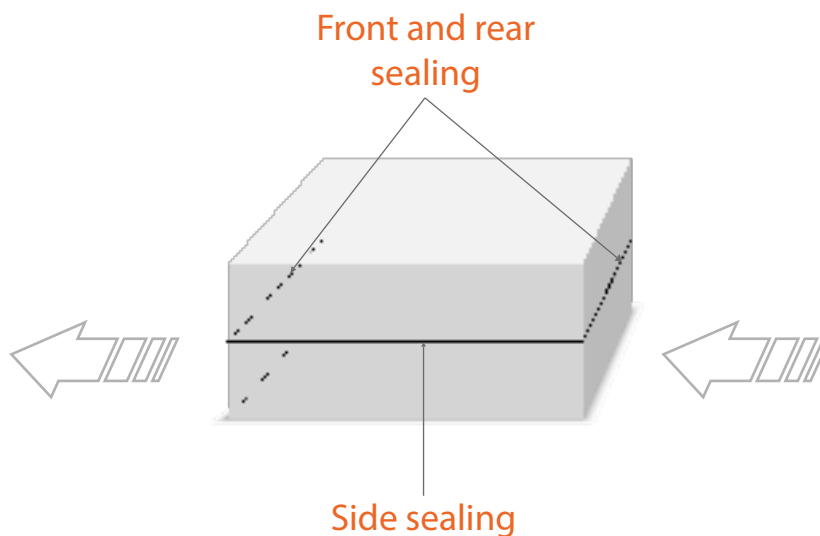
# PRATIKA 56 MPS X2

Automatic packaging machine with side sealing

Electrical and servo-assisted - Sealing bar 400mm X ∞ - max product h 240mm



## PACK STYLE



## OPTIONAL

- Electric perforator kit
- Photocell kit for printed film
- End of film photocell kit
- End of reel warning photocell kit
- Guides kit for unstable products
- Guides kit for unstable product (h. min.=105mm) + rollers
- 5 photocells kit for irregularity shaped products
- Photocell kit for non-transparent film
- Photocell kit for product safety
- Photocells kit for low products and non-transparent film
- 32-needle roller kit
- Guides kit for cylindrical and low products (with  $\varnothing < 40\text{mm}$ )
- Remote assistance box kit
- Teleassistance module kit Industry 4.0 (installed in machine)
- Swarf separator kit
- Easy Open kit
- Anti-static brush kit
- Powermeter kit
- Aligner kit conveyor belt.
- Aligner kit discharge belt between packer and tunnel
- Product guide kit for front adjustable exit belt
- Product entry belt kit for unstable products (min. height=72mm)
- Containment guide kit for light and unstable products
- Entry belt guide kit + exit belt
- Autotransformen kit 3500VA 50/60Hz 180-210V /230V
- 3G/UMTS key

Minipack-Torre SpA

via Provinciale, 54 24044 Dalmine (BG) - Italy

tel. +39 035 563525

info@minipack-torre.it



[www.minipack-torre.it](http://www.minipack-torre.it)